

# Attached Lid Containers

**Buckhorn** offers Attached Lid Containers in many sizes and styles for shipping, picking, and storage. Ideal for applications in retail/ wholesale distribution, grocery, and general manufacturing. For long-lasting, cost-saving performance, these containers feature:

- Patented interlocking fingers on lids for tight closure
- Stack and nest design for maximum space usage in trucks, storerooms, and on pallets
- Reinforced design for exceptional strength in demanding applications
- Handle styles including ergonomic, closed, and open (vary by model)
- Easy-to-clean interiors
- Injection-molded HDPE construction resists impact, moisture, and most chemicals
- Tie holes in both ends to further secure lids
- Identification areas for labels and tags. RFID and other identification systems available

Buckhorn's packaging experts will help you select the right container choice for your operations.

## Container Terms

**Injection Molding:** process that produces a solid, lightweight product with impact-resistance.

**Stack & Nest:** conserves cubic space when stacked; containers "nest" inside one another for compact storage.

**Solid Bottom:** provides total content security.

**Open Bottom:** drain holes allow easy liquid removal and cleaning.

**Textured Bottom:** prevents slippage on belt conveyors.

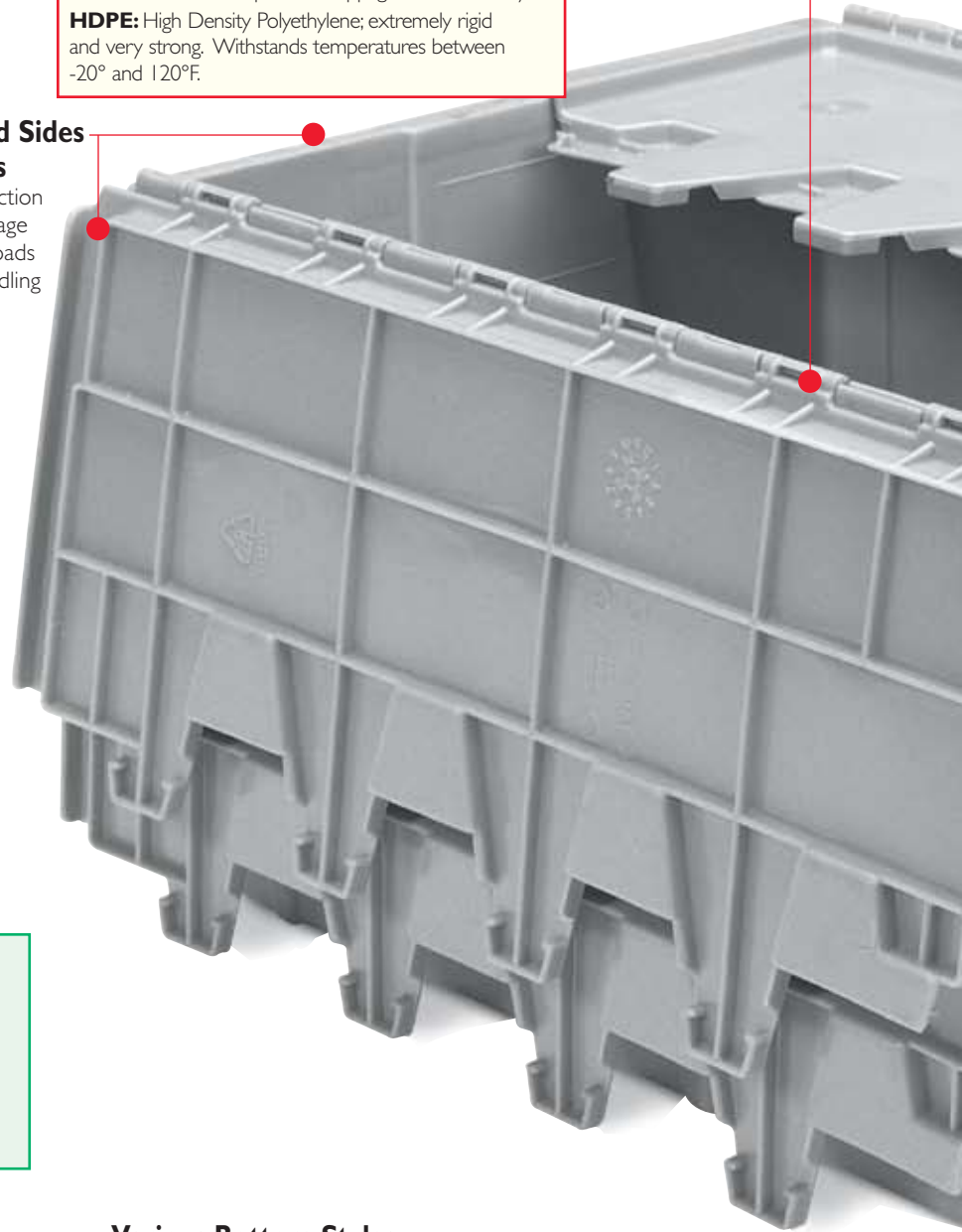
**HDPE:** High Density Polyethylene; extremely rigid and very strong. Withstands temperatures between -20° and 120°F.

## Steel Hinge Pins

Increase stacking strength and are 100% recyclable

## Reinforced Sides & Corners

Added protection against breakage from heavy loads or rough handling



**[S]** = In Stock Items

Items identified by this symbol **[S]** are available for quick shipment in the color specified. Most products are available in the colors listed on page 76 with a minimum order quantity. Lead times may vary, please call Customer Service at **800-543-4454** for details.

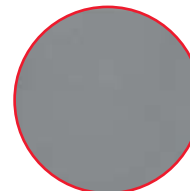


## Various Bottom Styles

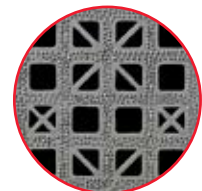
Many Buckhorn containers are available in a variety of bottom styles to fit a range of needs. Solid bottoms provide security and prevent leakage. Open bottoms and drain holes allow easy clean-up. Solid bottoms prevent slippage on conveyor belts.



**Solid-Textured**



**Solid-Smooth**



**Open-Textured**

# Profit *in Motion*

## Attached Lid Containers Pack Cost-Saving Advantages...

- Eliminate cardboard box waste and costs
  - Superior content security and protection
  - Long service life that keeps on saving
  - 100% recyclable
- ... *Enhancing Your Supply Chain Efficiency and Bottom Line!*

## Attached Lid Container Features



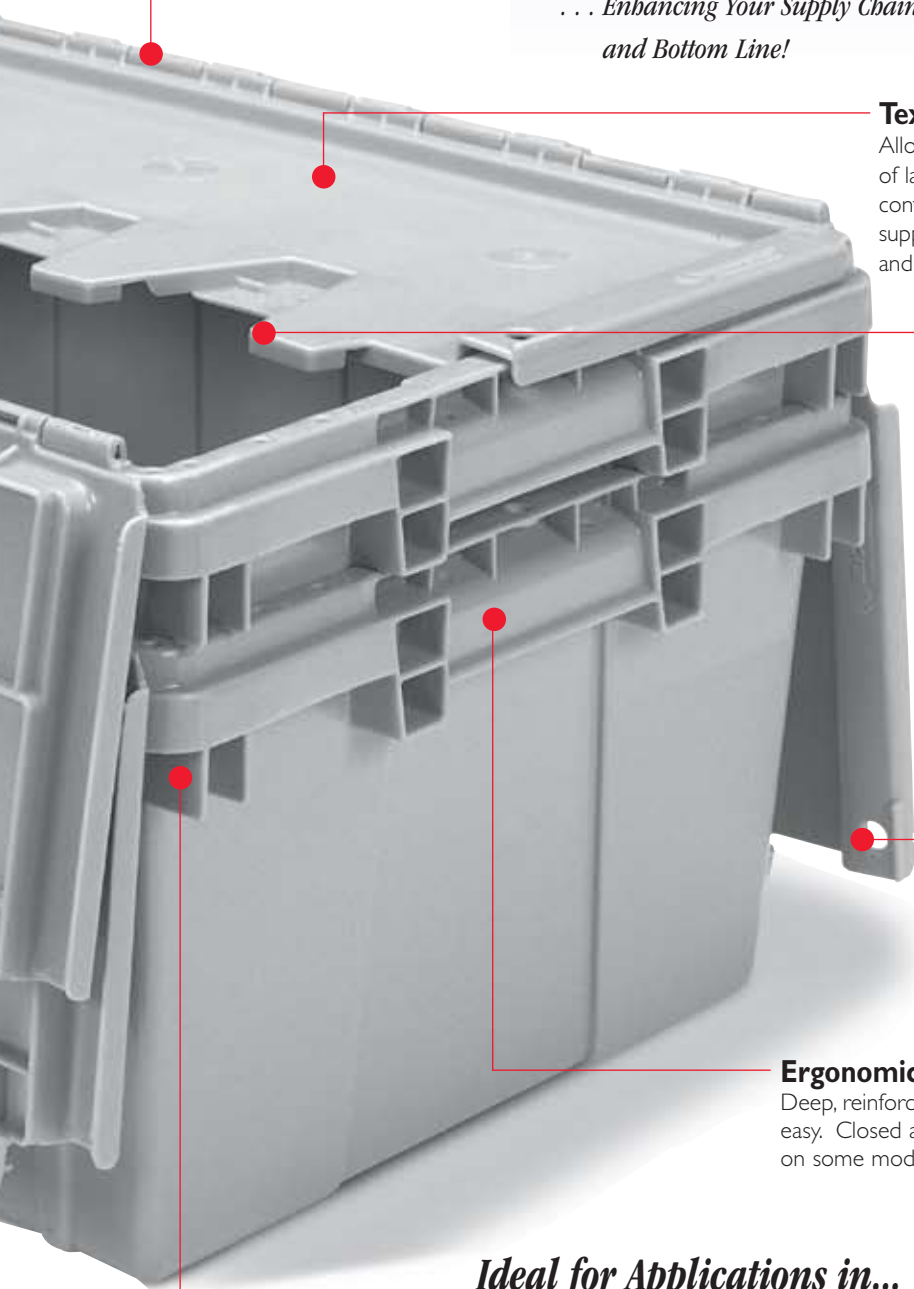
**Recessed Lid**  
Most containers feature recessed lids which create a 1/2" perimeter lip for secure stacking of loaded containers



**Strapping Lid**  
Optional raised stops are available for banding applications



**Reinforcing Ribs on Lids**  
For added strength and rigidity to withstand heavy-load stacking in any environment



**Heavy-Duty Continuous Hinges**

Designed with inset ends for extra protection and long service life

**Textured ID Areas**

Allow easy application/removal of labels and bar codes as container moves through the supply chain; located on lids and sides

**Interlocking Fingers on Lids**

Provides secure closure and adds strength for secure stacking

**Reinforced Security Tie Holes**

Reinforced tie holes in both ends on most models secure lids for shipping and handling

**Ergonomic Handles**

Deep, reinforced design makes lifting easy. Closed and open styles available on some models.

**Strong, Wide Nesting Stops**

Prevents jamming for easy separation of nested containers

*Ideal for Applications in...*



**Automotive Aftermarket Distribution**



**General Manufacturing**



**Distribution**



- plus ...
- Electronics
  - Health / Beauty Care Products
  - Pharmaceuticals
  - General Merchandise
  - Office Products
- ... and many more!

# Attached Lid Containers

## 15" x 14" Containers

- Ideal for liquid distribution applications; **AR15141300** holds four, one-gallon jugs or nine, 750 ml. bottles; **AR15141500** holds nine, 1.5 liter bottles or nine, 1.0 liter bottles
- Designed to weigh under 50 lbs. when fully loaded, reducing strain on workers
- Use with a 48" x 40" pallet for efficient use of trailer space



**S** Model No. AR15141300 (1)

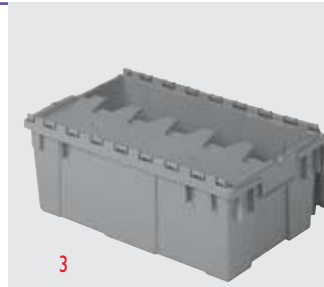
**Smooth Bottom**  
 Dim: L 14.75" x W 13.5" x H 13.31"  
 Capacity: 50 lbs. / 23 kg  
 Color: Lt. Gray

Model No. AR15141500 (2)

**Smooth Bottom**  
 Dim: L 14.75" x W 13.5" x H 15.22"  
 Capacity: 50 lbs. / 23 kg

## 20" x 12" Containers

- Ideal for small item and mixed pack distribution and storage applications
- Containers stack, nest, and cube a 48" x 40" pallet, 8 per layer
- Notched design on lid provides an easy fit for strapping to secure loads for transport
- Textured bottom surface prevents slippage on conveyor belts. Smooth bottoms are available.



Model No. AR20120721 (3)

**Open/Textured Bottom**  
 Dim: L 20" x W 11.69" x H 7.5"  
 Capacity: 40 lbs. / 18 kg

**S** Model No. AR20120702

**Solid/Textured Bottom**  
 Dim: L 20" x W 11.69" x H 7.5"  
 Capacity: 40 lbs. / 18 kg  
 Color: Lt. Gray



*Attached lid containers cube pallets and allow better space utilization of trailers and warehouses.*

## 21" x 15" Containers

- Choose from 9", 12", and 17" heights
- Useful in a variety of general manufacturing and retail/wholesale distribution applications
- 17" height features ergonomic handles and greater interior capacity
- 60 lb. capacity increases payload and maximizes space usage
- Ergonomic handles for safe, comfortable lifting
- Standard recessed lid. Strapping lid available.
- Textured bottom or smooth bottom



Model No. AS21150921

**Open/Textured Bottom**  
 Dim: L 21.50" x W 15.25" x H 9.75"  
 Capacity: 60 lbs. / 27 kg

Model No. AS21150902

**Solid/Textured Bottom**  
 Dim: L 21.50" x W 15.25" x H 9.75"  
 Capacity: 60 lbs. / 27 kg

Model No. AR21150921

**Open/Textured Bottom**  
 Dim: L 21.75" x W 15.25" x H 9.63"  
 Capacity: 60 lbs. / 27 kg

**S** Model No. AR21150902 (5)

**Solid/Textured Bottom**  
 Dim: L 21.75" x W 15.25" x H 9.63"  
 Capacity: 60 lbs. / 27 kg  
 Color: Lt. Gray, Red, Green, Dk. Blue

Model No. AR21151221

**Open/Textured Bottom**  
 Dim: L 21.75" x W 15.25" x H 12.50"  
 Capacity: 60 lbs. / 27 kg

**S** Model No. AR21151202 (6)

**Solid/Textured Bottom**  
 Dim: L 21.75" x W 15.25" x H 12.50"  
 Capacity: 60 lbs. / 27 kg  
 Color: Lt. Gray, Red, Green, Dk. Blue

**S** Model No. AS21151202

**Solid/Textured Bottom w/Strapping Lid**  
 Dim: L 21.75" x W 15.25" x H 12.50"  
 Capacity: 60 lbs. / 27 kg  
 Color: Lt. Gray

Model No. AS21151221

**Open/Textured Bottom**  
 Dim: L 21.75" x W 15.25" x H 12.81"  
 Capacity: 60 lbs. / 27 kg



*Custom dunnage to protect products and insulate perishables available for any container.*

**S** Model No. AR21151700 (7)

**Solid/Smooth Bottom**  
 Dim: L 21.80" x W 15.25" x H 17"  
 Capacity: 60 lbs. / 27 kg  
 Color: Lt. Gray

Model No. AR21151720

**Open/Smooth Bottom**  
 Dim: L 21.80" x W 15.25" x H 17"  
 Capacity: 60 lbs. / 27 kg

Model No. AR21151721

**Open/Textured Bottom**  
 Dim: L 21.80" x W 15.25" x H 17"  
 Capacity: 60 lbs. / 27 kg

Model No. AR21151702

**Solid/Textured Bottom**  
 Dim: L 21.80" x W 15.25" x H 17"  
 Capacity: 60 lbs. / 27 kg

Attached Lid Containers

**S** = In Stock Items

**OPTIONS:** Hot stamping, RFID, card holders, special colors, or other identification methods available for container control programs

## 21" x 15" Bi-Fold Lid Container

- Ideal for distribution of small orders – up to .78 cubic feet
- Interworks with 21" x 15" attached lid containers
- 2 stacked Bi-Fold containers equal the height of one 21" x 15" x 12" container, helping level loads on a pallet
- The attached-recessed lid flaps fold in half and lock against the side of the container for ease of conveying and nesting
- Containers stack and nest securely
- Unique design optimizes space utilization on pallets and in trailers, helping to reduce the shipment of "air"
- Textured areas allow for identification label placement and easy label removal



Model No. AF21150702 (1)

Solid/Textured Bottom

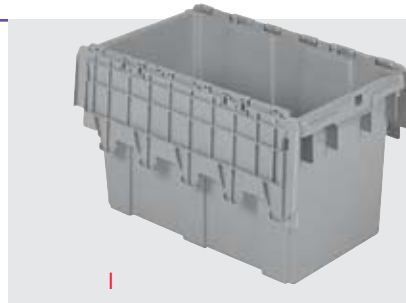
Dim: L 21.50" x W 15.25" x H 6.63"

Capacity: 60 lbs. / 27 kg

Color: Lt. Gray

## 22" x 13" Containers

- Can be used in a variety of retail/wholesale distribution applications — including general merchandise, soft goods, and health and beauty care products
- Minimal lid flair helps prevent lid damage due to rough handling
- Strapping lids provide optimum internal cube for products; straps fit flush on top of each lid to stabilize loads for handling
- Textured bottoms are standard; smooth bottoms are optional

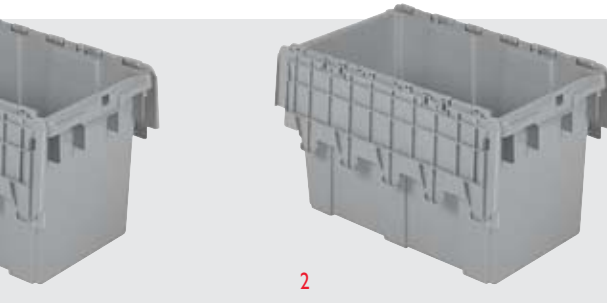


Model No. AS22131221 (1)

Open/Textured Bottom

Dim: L 22.38" x W 13" x H 12.88"

Capacity: 60 lbs. / 27 kg



Model No. AS22131202 (2)

Solid/Textured Bottom

Dim: L 22.38" x W 13" x H 12.88"

Capacity: 60 lbs. / 27 kg

Color: Lt. Gray

## 22" x 16" Containers

- Ideal for many distribution applications such as periodicals and pharmaceuticals
- Cubes 48" x 45" pallets to maximize shipping and storage space usage
- Optional Removable Tray allows different-size items to be packed in the same container
- OPTIONS: Lid slot, stacking rib, ID systems, removable tray



Model No. AP22161000 (3)

Ergonomic Handles/Smooth Bottom

Dim: L 21.75" x W 16.5" x H 10.25"

Capacity: 60 lbs. / 27 kg



Model No. AP22161033 (4)

Slotted Lid/Smooth Bottom

Dim: L 21.75" x W 16.5" x H 10.25"

Capacity: 60 lbs. / 27 kg



Model No. AT17140300 (5)

Removable Tray

Dim: L 17.44" x W 14.38"

Capacity: 15 lbs. / 7 kg

Model No. AP22161133

Slotted Lid/Smooth Bottom

Stacking Rib

Dim: L 21.75" x W 16.5" x H 11"

Capacity: 60 lbs. / 27 kg

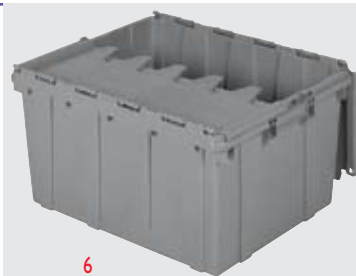


Optional lid slot allows order/shipping paperwork to be placed inside the secured container.

# Attached Lid Containers

## 24" x 20" Containers

- High capacity to reduce handling time
- Recessed lid standard; strapping lid available
- Ergonomic handles for safe, comfortable lifting
- Textured bottoms standard on most models
- Cubes standard 48" x 40" pallet - 4 per layer



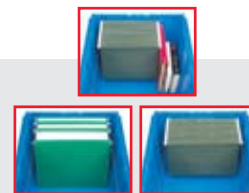
**Model No. AS24201221**  
Strapping Lid/Open Bottom  
Dim: L 24" x W 19.5" x H 12.63"  
Capacity: 80 lbs. / 36 kg



**Model No. AS24201200**  
Strapping Lid/Solid Bottom  
Dim: L 24" x W 19.5" x H 12.63"  
Capacity: 80 lbs. / 36 kg

**Model No. AR24201221**  
Recessed Lid/Open Bottom  
Dim: L 24" x W 19.5" x H 12.63"  
Capacity: 80 lbs. / 36 kg

**Model No. AR24201202 (6)**  
Recessed Lid/Solid Bottom  
Dim: L 24" x W 19.5" x H 12.63"  
Capacity: 80 lbs. / 36 kg  
Color: Lt. Gray



**Organize & Transport Files**  
Model AR24201202 holds 3 files sizes:  
letter, legal, and computer greenbar.  
(Rails available upon request)

## SecureTote™ 25" x 15"

- Four reinforced tie holes in lids are compatible with a variety of closures to prevent pilferage and tampering
- Interlocking lid with reinforcing ribs ensures secure closure and adds strength for stacking



**Model No. AR25151302**  
Recessed Lid/Textured Bottom  
Dim: L 24.5" x W 15" x H 13.19"  
Capacity: 100 lbs. / 45 kg  
Colors: Dk. Blue, Translucent

Provides safe, secure transport for everything from cigarette cartons to cosmetics:

- General Merchandise
- Pharmaceutical
- Medical
- Health & Beauty and more...



SecureTote's extended 25" length fits multiple-size cigarette cartons, protecting them from damage or pilferage during transport

## 27" x 17" Containers

- Strong load capacity and optimum security for distribution applications
- Available in 9" and 12" heights to handle large, bulky, or long parts
- Available with recessed or strapping lids
- Optional metal bails available on the 12" model for stacking/nesting applications where no lid is required (for internal or in-plant use only – not recommended for over-the-road use)



**Model No. AR27171200**  
Recessed Lid/Smooth Bottom  
Dim: L 27" x W 16.88" x H 12.5"  
Capacity: 100 lbs. / 45 kg



**Model No. AR27170902 (1)**  
Recessed Lid/Textured Bottom  
Dim: L 27.06" x W 16.88" x H 9.63"  
Capacity: 80 lbs. / 36 kg  
Color: Green

**Model No. AR27171202 (2)**  
Recessed Lid/Textured Bottom  
Dim: L 27" x W 16.88" x H 12.5"  
Capacity: 100 lbs. / 45 kg  
Colors: Lt. Gray, Red, Green, Dk. Blue

**Model No. AS27171202**  
Strapping Lid/Textured Bottom  
Dim: L 27.13" x W 16.88" x H 12.5"  
Capacity: 100 lbs. / 45 kg  
Color: Lt. Gray

**Model No. AR27171221**  
Recessed Lid/Open Textured Bottom  
Dim: L 27" x W 16.88" x H 12.5"  
Capacity: 100 lbs. / 45 kg

## 28" x 21", 34" x 24" Containers

- Designed for large-size distribution applications—including large, bulky, or long parts/materials
- Ergonomic handles on 28" x 21" model
- Multiple open handle locations on the 34" x 24" model
- Stacking lugs prevent loaded, stacked containers from sliding, providing safe handling and transport
- Strapping lids optimize internal space for product



**Model No. AS28211502 (3)**  
Solid/Textured Bottom  
Dim: L 28" x W 20.75" x H 15.44"  
Capacity: 100 lbs. / 45 kg  
Colors: Lt. Gray, Lt. Blue

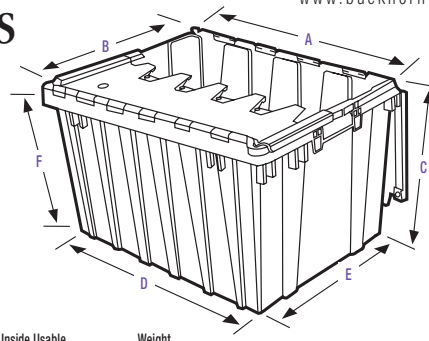


**Model No. AS34242012 (4)**  
Solid/Smooth Bottom  
Dim: L 34" x W 24" x H 19.63"  
Capacity: 100 lbs. / 45 kg  
Color: Lt. Gray

**[S] = In Stock Items**

# Attached Lid Container Specifications

OPTIONS: Hot stamping, RFID, card holders, special colors, or other identification methods available for container control programs



## 15" x 14" Containers

■ Stock color: Lt. Gray

Model No.	Description	Dimensions					Inside Usable Height H"(F)	Weight lbs.	Weight Capacity lbs.	Volume Cu. Ft.	Nesting Ratio	48' Truck Stacked	Capacity Nested	53' Truck Stacked	Capacity Nested
		L"(A)	Outside Top W"(B)	H"(C)	Inside Bottom L"(D)	W"(E)									
[S] AR15141300	Solid/Smooth Bottom	14.75	13.50	13.31	11.25	11.25	11.88	4.98	50	.98	3.94:1	2128	3900	2352	4500
	mm/kg/l	374	343	338	286	286	302	2.24	23	28	—	—	—	—	
AR15141500	Solid/Smooth Bottom	14.75	13.50	15.22	11.13	11.13	13.81	5.08	50	1.12	4.5:1	1862	3744	2058	4320
	mm/kg/l	374	343	387	283	283	351	2.29	23	32	—	—	—	—	

## 20" x 12" Containers

■ Stock color: Lt. Gray

Model No.	Description	Dimensions					Inside Usable Height H"(F)	Weight lbs.	Weight Capacity lbs.	Volume Cu. Ft.	Nesting Ratio	48' Truck Stacked	Capacity Nested	53' Truck Stacked	Capacity Nested
		L"(A)	Outside Top W"(B)	H"(C)	Inside Bottom L"(D)	W"(E)									
[S] AR20120721	Open/Textured Bottom	20	11.69	7.50	16.88	9.63	6.06	3.78	40	.61	3.0:1	3360	5616	3720	6480
	mm/kg/l	510	295	190	430	245	153	1.70	18	.017	—	—	—	—	
AR20120702	Solid/Textured Bottom	20	11.69	7.50	16.88	9.63	6.06	3.78	40	.61	3.0:1	3360	5616	3720	6480
	mm/kg/l	510	295	190	430	245	153	1.70	18	.017	—	—	—	—	

## 21" x 15" Containers

■ Stock color: Lt. Gray, AR21151202 and AR21150902 available in Lt. Gray, Green, Dk. Blue, Red

Model No.	Description	Dimensions					Inside Usable Height w/Lid R"(F)	Weight lbs.	Weight Capacity lbs.	Volume w/lid		Nesting Ratio	48' Truck Capacity		53' Truck Capacity						
		L"(A)	Outside Top W"(B)	H"(C)	Inside Bottom L"(D)	W"(E)				Ru. (R)	Su. (S)		Stacked w/lid (R)	Nested w/lid (S)	Stacked w/lid (R)	Nested w/lid (S)					
AS21150921	Open/Textured Bottom	21.50	15.25	9.75	18.38	13	—	8.50	5.14	60	—	1.27	4.3:1	—	1837	—	4368	—	2046	—	4872
	mm/kg/l	543	387	248	467	330	—	215	2.31	27	—	3	—	—	—	—	—	—	—	—	—
AS21150902	Solid/Textured Bottom	21.50	15.25	9.75	18.38	13	—	8.50	5.14	60	—	1.27	4.3:1	—	1837	—	4368	—	2046	—	4872
	mm/kg/l	543	387	248	467	330	—	215	2.31	27	—	36	—	—	—	—	—	—	—	—	—
AR21150921	Open/Textured Bottom	21.75	15.25	9.63	18.38	13	8.13	—	5.29	60	1.22	—	4.3:1	—	1837	4452	—	1991	—	4872	—
	mm/kg/l	552	387	245	467	330	205	—	2.38	27	35	—	—	—	—	—	—	—	—	—	—
[S] AR21150902	Solid/Textured Bottom	21.75	15.25	9.63	18.38	13	8.13	—	5.29	60	1.22	—	4.3:1	1837	—	4452	—	1991	—	4872	—
	mm/kg/l	552	387	245	467	330	205	—	2.38	27	35	—	—	—	—	—	—	—	—	—	—
AR21151221	Open/Textured Bottom	21.75	15.25	12.50	17.88	12.50	11.13	—	6.01	60	1.61	—	5:1	1336	—	3816	—	1448	—	4176	—
	mm/kg/l	552	387	318	455	320	285	—	2.70	27	46	—	—	—	—	—	—	—	—	—	—
[S] AR21151202	Solid/Textured Bottom	21.75	15.25	12.50	17.88	12.50	11.13	—	6.01	60	1.61	—	5:1	1336	—	3816	—	1448	—	4176	—
	mm/kg/l	552	387	318	455	320	285	—	2.70	27	46	—	—	—	—	—	—	—	—	—	—
AS21151221	Open/Textured Bottom	21.75	15.25	12.81	17.88	12.50	—	11.50	6.04	60	—	1.67	5:1	—	1336	—	3816	—	1448	—	4176
	mm/kg/l	552	387	325	455	320	—	290	2.72	27	—	47	—	—	—	—	—	—	—	—	—
AS21151202	Solid/Textured Bottom	21.75	15.25	12.81	17.88	12.50	—	11.50	6.04	60	—	1.67	5:1	—	1336	—	3816	—	1448	—	4176
	mm/kg/l	552	387	325	455	320	—	290	2.72	27	—	47	—	—	—	—	—	—	—	—	—
[S] AR21151720	Open/Smooth Bottom	21.80	15.25	17	17.93	12.45	15.94	—	6.88	60	2.05	—	5.4:1	520	—	2208	—	600	—	3120	—
	mm/kg/l	553	387	431	455	316	404	—	3.21	27	58	—	—	—	—	—	—	—	—	—	—
AR21151721	Open/Textured Bottom	21.80	15.25	17	17.93	12.45	15.94	—	6.88	60	2.05	—	5.4:1	520	—	2208	—	600	—	3120	—
	mm/kg/l	553	387	431	455	316	404	—	3.21	27	58	—	—	—	—	—	—	—	—	—	—
AR21151700	Solid/Smooth Bottom	21.80	15.25	17	17.93	12.45	15.94	—	6.88	60	2.05	—	5.4:1	520	—	2208	—	600	—	3120	—
	mm/kg/l	553	387	431	455	316	404	—	3.21	27	58	—	—	—	—	—	—	—	—	—	—
AR21151702	Solid/Textured Bottom	21.80	15.25	17	17.93	12.45	15.94	—	6.88	60	2.05	—	5.4:1	520	—	2208	—	600	—	3120	—
	mm/kg/l	553	387	431	455	316	404	—	3.21	27	58	—	—	—	—	—	—	—	—	—	—

Optional smooth bottoms available. (R) Recessed Lid (S) Strapping Lid

## 21" x 15" Bi-Fold Containers

■ Stock color: Lt. Gray

Model No.	Description	Dimensions					Inside Usable Height H"(F)	Weight lbs.	Weight Capacity lbs.	Volume Cu. Ft.	Nesting Ratio	48' Truck Stacked	Capacity Nested	53' Truck Stacked	Capacity Nested
		L"(A)	Outside Top W"(B)	H"(C)	Inside Bottom L"(D)	W"(E)									
[S] AF21150702	Solid/Textured Bottom	21.50	15.25	6.63	18.38	12.75	5.25	4.70	60	78	2.21:1	2652	3120	2958	3360
	mm/kg/l	546	387	168	467	323	133	2.11	27	22	—	—	—	—	

### 22" x 13" Containers

■ Stock color: Lt. Gray

Model No.	Description	L"(A)	Dimensions				Inside Usable Height H"(F)	Weight lbs.	Weight Capacity lbs.	Volume Cu. Ft.	Nesting Ratio	Lid Type	48' Truck Capacity Stacked	Capacity Nested	53' Truck Capacity Stacked	Capacity Nested
			Outside Top W"(B)	H"(C)	Inside Bottom L"(D)	W"(E)										
<b>AS22131221</b>	Open/Textured Bottom	22.38	13	12.88	18.8	10.1	11.8	6.08	60	1.42	3.96:1	(S)	1400	4200	1568	4702
	mm/kg/l	567	330	327	483	254	298	2.73	27	40	—	—	—	—	—	—
<b>AS22131202</b>	Solid/Textured Bottom	22.38	13	12.88	18.8	10.1	11.8	6.08	60	1.42	3.96:1	(S)	1400	4200	1568	4702
	Open Handholds	567	330	327	483	254	298	2.73	27	40	—	—	—	—	—	—

### 22" x 16" Containers

Model No.	Description	L"(A)	Dimensions				Inside Usable Height H"(F)	Weight lbs.	Weight Capacity lbs.	Volume Cu. Ft.	Nesting Ratio	48' Truck Capacity Stacked	Capacity Nested	53' Truck Capacity Stacked	Capacity Nested	
			Outside Top W"(B)	H"(C)	Inside Bottom L"(D)	W"(E)										
<b>AP22161000</b>	Smooth Bottom	21.75	16.5	10.25	18.3	14	8.8	6.17	60	1.41	2.73:1	—	1460	2392	1600	2576
	mm/kg/l	552	419	260	464	356	222	2.65	27	40	—	—	—	—	—	—
<b>AP22161033</b>	Smooth Bottom	21.75	16.5	10.25	18.3	14	8.8	6.17	60	1.41	2.73:1	—	1460	2392	1600	2576
	w/Slotted Lid	552	419	260	464	356	222	2.65	27	40	—	—	—	—	—	—
<b>AP22161133</b>	Smooth Bottom, Slotted	21.75	16.5	11	18.3	14	8.8	6.99	60	1.41	2.93:1	—	1314	2392	1440	2576
	Lid and Stacking Rib	552	419	279	464	356	222	3.15	27	40	—	—	—	—	—	—
<b>AT17140300</b>	Removable Tray	17.44	14.38	2.75	15.1	13.9	—	1.35	15	.33	1.7:1	—	—	5444	—	9720
		443	365	70	384	352	—	.61	7	9	—	—	—	—	—	—

### 24" x 20" Containers

■ Stock color: Lt. Gray

Model No.	Description	L"(A)	Dimensions				Inside Usable Height H"(F)	Weight lbs.	Weight Capacity lbs.	Volume w/lid		Nesting Ratio	48' Truck Capacity		53' Truck Capacity					
			Outside Top W"(B)	H"(C)	Inside Bottom L"(D)	W"(E)				(R)	(S)		Stacked (R)	Capacity Nested (S)	Stacked (R)	Capacity Nested (S)				
<b>AS24201221</b>	Strapping Lid/Open Bottom	24	19.5	12.63	20.5	16.6	11.4	7.31	80	—	2.44	5.6:1	—	928	—	3360	—	1000	—	3840
	mm/kg/l	610	495	320	520	423	289	3.29	36	—	69	—	—	—	—	—	—	—	—	—
<b>AS24201200</b>	Strapping Lid/Solid Bottom	24	19.5	12.63	20.5	16.6	11.5	7.31	80	—	2.44	5.6:1	—	928	—	3360	—	1000	—	3840
		610	495	320	520	423	264	3.29	36	—	69	—	—	—	—	—	—	—	—	—
<b>AR24201221</b>	Recessed Lid/Open Bottom	24	19.5	12.63	20.5	16.6	10.8	8.31	80	2.30	—	5.6:1	928	—	3360	—	1000	—	3840	—
		610	495	320	520	423	273	3.74	36	65	—	—	—	—	—	—	—	—	—	—
<b>AR24201202</b>	Recessed Lid/Solid Bottom	24	19.5	12.63	20.5	16.6	10.8	8.31	80	2.30	—	5.6:1	928	—	3360	—	1000	—	3840	—
		610	495	320	520	423	273	3.74	36	65	—	—	—	—	—	—	—	—	—	—

### 25" x 15" SecureTote™

■ Stock colors: Dk. Blue, Translucent

Model No.	Description	L"(A)	Dimensions				Inside Usable Height H"(F)	Weight lbs.	Weight Capacity lbs.	Volume w/lid		Nesting Ratio	48' Truck Capacity		53' Truck Capacity				
			Outside Top W"(B)	H"(C)	Inside Bottom L"(D)	W"(E)				(R)	(S)		Stacked (R)	Capacity Nested (S)	Stacked (R)	Capacity Nested (S)			
<b>AR25151302</b>	Solid/Textured Bottom	24.50	15	13.19	20.95	12.17	11.75	7.5	50	1.9	—	4.2:1	800	—	2976	—	896	—	3224
	mm/kg/l	622	381	335	532	309	298	3.4	23	54	—	—	—	—	—	—	—	—	—

### 27" x 17" Containers

■ Stock color: Lt. Gray  
 ■ AR27171202 available in Lt. Gray, Red, Green, Dk. Blue  
 ■ AR27170902 available in Green

Model No.	Description	L"(A)	Dimensions				Inside Usable Height H"(F)	Weight lbs.	Weight Capacity lbs.	Volume Cu. Ft.	Nesting Ratio	Lid Type	48' Truck Capacity Stacked	Capacity Nested	53' Truck Capacity Stacked	Capacity Nested
			Outside Top W"(B)	H"(C)	Inside Bottom L"(D)	W"(E)										
<b>AR27170902</b>	Solid/Textured Bottom	27.06	16.88	9.63	23.9	14.1	8	7.52	80	1.68	3.3:1	(R)	1287	2944	1463	3328
	mm/kg/l	687	430	240	610	360	203	3.38	36	48.10	—	—	—	—	—	—
<b>AR27171200</b>	Open/Smooth Bottom	27	16.88	12.5	23.5	13.8	10.9	8.26	100	2.25	4.3:1	(R)	840	2914	920	3074
		685	430	320	600	350	278	3.72	45	64	—	—	—	—	—	—
<b>AR27171221</b>	Open/Textured Bottom	27	16.88	12.5	23.5	13.8	10.9	8.26	100	2.25	4.3:1	(R)	840	2914	920	3074
		685	430	320	600	350	278	3.72	45	64	—	—	—	—	—	—
<b>AR27171202</b>	Solid/Textured Bottom	27	16.88	12.5	23.5	13.8	10.9	8.19	100	2.25	4.3:1	(R)	840	2914	920	3074
		685	430	320	600	350	278	3.72	45	64	—	—	—	—	—	—
<b>AS27171202</b>	Solid/Textured Bottom	27.13	16.88	12.5	23.5	13.8	11.4	8.19	100	2.34	4.3:1	(S)	840	2914	920	3074
		689	430	320	600	350	289	3.72	45	66	—	—	—	—	—	—

### 28" x 21", 34" x 24" Containers

■ Stock color: Lt. Gray  
 ■ AS28211502 available in Lt. Gray or Lt. Blue

Model No.	Description	L"(A)	Dimensions				Inside Usable Height H"(F)	Weight lbs.	Weight Capacity lbs.	Volume Cu. Ft.	Nesting Ratio	Lid Type	48' Truck Capacity Stacked	Capacity Nested	53' Truck Capacity Stacked	Capacity Nested
			Outside Top W"(B)	H"(C)	Inside Bottom L"(D)	W"(E)										
<b>AS28211502</b>	Solid/Textured Bottom	28	20.75	15.44	25	18	14	12.6	100	3.82	2.79:1	(S)	564	1408	624	1496
	mm/kg/l	710	530	390	635	460	355	5.65	45	108	—	—	—	—	—	—
<b>AS34242012</b>	Solid/Smooth Bottom	34	24	19.63	29.9	19.5	18.1	19.0	100	6.62	2.74:1	(S)	345	720	390	816
	Open Handholds	865	610	500	760	495	460	8.54	45	530	—	—	—	—	—	—

**S** = In Stock Items

(R) Recessed Lid (S) Strapping Lid Containers are available with baits and other optional features with minimum quantity order. Capacity is dependent upon application and use environment. Check with Buckhorn for suitability in your application. Specifications subject to change without notice.